

# The Lone Peak

# "Shelf Talker"

## Marketing & Shelf Tag Printing Solution



*Can Be Used throughout  
The Market for all Departments*

Local \* Organic  
RED GALA APPLES

**\$2.99**  
LB

4x3

Local \* Organic  
ICEBERG LETTUCE

**\$3.89**  
EA

3.25x2

Local \* Organic  
RED ONIONS

**\$2.59**  
LB

4x4

FIRE ROASTED  
RED PEPPERS

**\$4.99** LB

2x1.2875

**LONE PEAK**   
LABELING SYSTEMS  
www.lonepeaklabeling.com • 1-800-658-8599



**Pressure Sensitive Adhesive Fold Over Tags - Several Sizes to Choose From - Any Color Available**

AGED  
CHEDDAR CHEESE  
**\$6.99**  
LB

**2.75x2.3125**

Local \* FRESH  
Sliced Salami  
**\$2.99** LB

**2.50x1.2875**

FRESCO CHICKEN PASTA  
MARINARA SAUCE  
**\$3.99** EA

**2.5x1.125**

Local \* Organic  
COUNTRY POTATO SALAD  
**\$5.99** LB

**4x2**

Sliced Daily  
CREAM  
HARVARTI

**\$4.99**  
LB

**2.5x2.3125**

ROASTED DAILY  
SLICED ROAST  
BEEF

**\$5.99**  
LB

**3x3**





# "Shelf Talker"

## Marketing & Shelf Tag Printing Solution

### BENEFITS

- Tags are Durable & Moisture Resistant.
- Pre Laminated tags eliminate the labor and cost of lamination.
- Our Software allows you to print on various sizes of tags with different backgrounds, colors & designs.
- You can print tags individually, full batches or complete department categories.
- You can print with any font style you choose.



# Sign Holders, Clips & Attachments

This is our list of stock Sign Holders & Clips. We have many options of Sign Holders available & various Sizes, Shapes and Functions.

All Clips & Holders on this page will be available for immediate delivery. The other Clips will be available within a 2 week lead time.

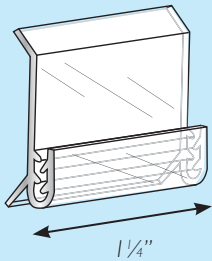


## Black Spring Clips

Choose clear or black clips or those with 2" and/or 4" extenders, each sold separately.

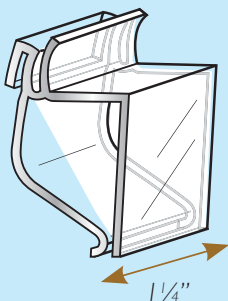
## Shelf Clip

Clean, clear and keeps your paper signage crisp and upright.



## Black Bucket Clip

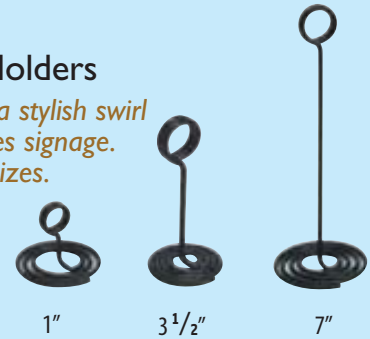
Say so long to slipping signage with rugged, snug-fitting Black Bucket Clips!



Our 2-Way Gourmet Clip can be used in either direction to elevate or hold the sign below the product display, shown above.

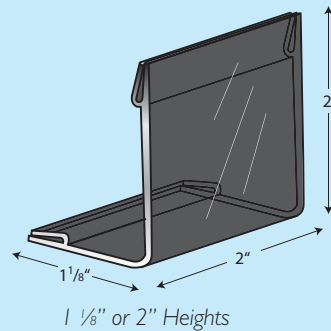
## Black Swirl Sign Holders

Black wire coiled into a stylish swirl steadies and showcases signage. Available in assorted sizes.



## Black 2-Way Easel

Twice as nice black easels. Select the height (1 1/8" or 2") for your needs.



## Harp Clips

Petite metal sign holders lend an elegant touch to display cases. These stylish space savers make positioning product signage effortless.

